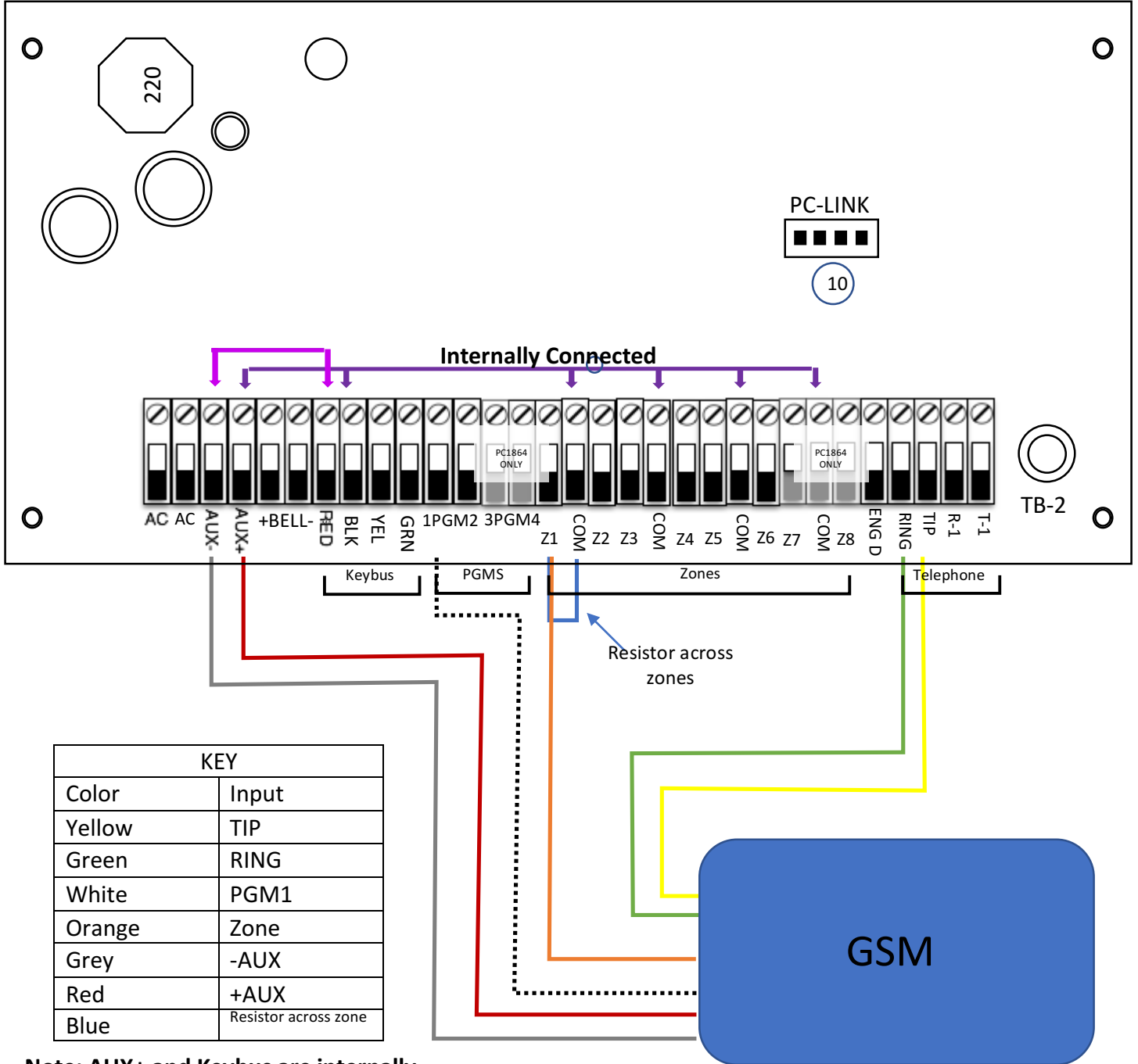


DSC 1616/1832 1834



Note: AUX+ and Keybus are internally connected total draw from PGM Outputs, AUX circuits, and PMG Outputs must not exceed 700mA